



PF™ DOOR FRAMES

To have a complete entry system, it is important to consider the material of the door frame. Many doors are hung in either wood or steel frames, which are prone to the same problems as the doors themselves. Wood frames can warp, rot, and crack, while steel frames can rust and dent. Repeatedly repairing your door frame is inconvenient, so it is best to use an alternative material.

Plastpro's PF (Polyfiber) Door Frames offer an innovative alternative to traditional door jambs. Our uniquely formulated door frame combines the beauty of wood with the strength of steel. The material is durable, long-lasting, and is more thermally resistant than either wood or metal. The installation of the advanced system is the same as traditional installations. However, when a fiberglass door is used with a PF frame, they create an impenetrable doorway.

FEATURES AND BENEFITS

- Hydro Shield Technology is moisture-resistant and prevents warping, rotting, and splitting.
- Frame is termite-resistant at all points along the structure.
- Has twice the screw holding power of traditional wood door frames.
- More versatility in design. Available in various lengths and widths that can be stained as well as painted.
- Continuous piece with no finger joint and is 25 percent more rigid than wood frames.
- Maintenance free and energy efficient.

FRAME DECAY COMPARISON



PLASTPRO PF™ DOOR FRAME

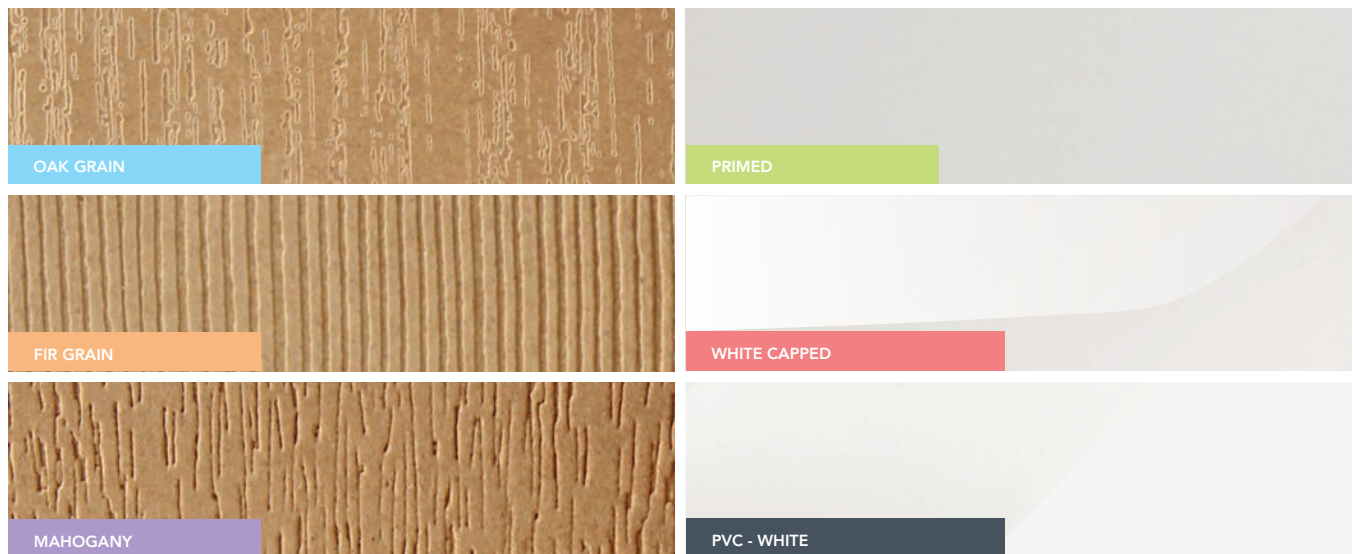
*with Hydroschild Technology™



TRADITIONAL WOOD FRAME

Susceptible to rotting, warping, and decay

GRAINING CHART



Plastpro's Polyfiber (PF) Door Frames are made of the highest quality, composite material and are available in a variety of grain options that match our doors. For a detailed list of available grains and products, please refer to the chart below.

	OAK GRAIN	FIR GRAIN	MAHOGANY	PRIMED	WHITE CAPPED	PVC - WHITE
4 9/16" DOOR FRAME	●	●	●	●	●	
5 1/4" DOOR FRAME	●			●	●	
6 5/16" DOOR FRAME	●	●	●	●	●	
7 1/4" DOOR FRAME	●			●	●	
WM180 BRICK MOULD	●	●	●	●	●	
WM176 FLORIDA BRICK MOULD	●			●		
1" x 2" STUCCO MOULD				●		
NAILING FIN	●			●	●	
J-CHANNEL	●			●	●	
FLAT CASING	●			●	●	
FLAT CASING J-CHANNEL	●			●	●	
TRIM BOARDS						●
TRANSOM SILLS	●	●	●	●	●	
MULL POSTS	●	●	●		●	
MULL POST COVERS (EXTERIOR)	●	●		●	●	
MULL POST CAP	●					●
STORM DOOR ADAPTERS	●	●	●	●	●	
DOOR FRAME EXTENSIONS	●	●	●	●	●	
SIDELITE STOPPER	●			●		
ASTRAGAL						●

PFT™ DOOR FRAMES

PRODUCT LINE OVERVIEW



4 5/16" DOOR JAMB



6 5/16" DOOR JAMB



5 1/4" DOOR JAMB



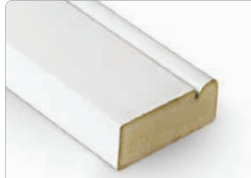
5 1/4" DOOR JAMB



1 1/4" x 3" JAMB EXTENSION



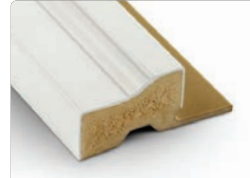
WM180 BRICK MOULD



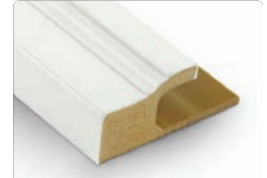
WM176 FL. BRICK MOULD



1" x 2" STUCCO MOULD



NAILING FIN



J-CHANNEL



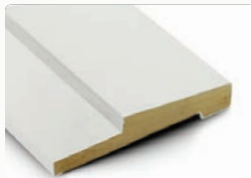
FLAT CASING



FLAT CASING J-CHANNEL



TRIM BOARDS



TRANSOM SILLS

- 4 5/16"
- 6 5/16"



MULL POSTS

- 1 1/2" x 3 3/16" x 2 1/2"
- 1 1/2" x 4 3/16" x 2 1/2"
- 1" x 3 3/16" x 2"
- 1" x 4 3/16" x 2"



MULL POST COVERS (EXT.)

- 1 1/2" x 1"
- 2" x 1"



MULL POST CAP



STORM DOOR ADAPTERS

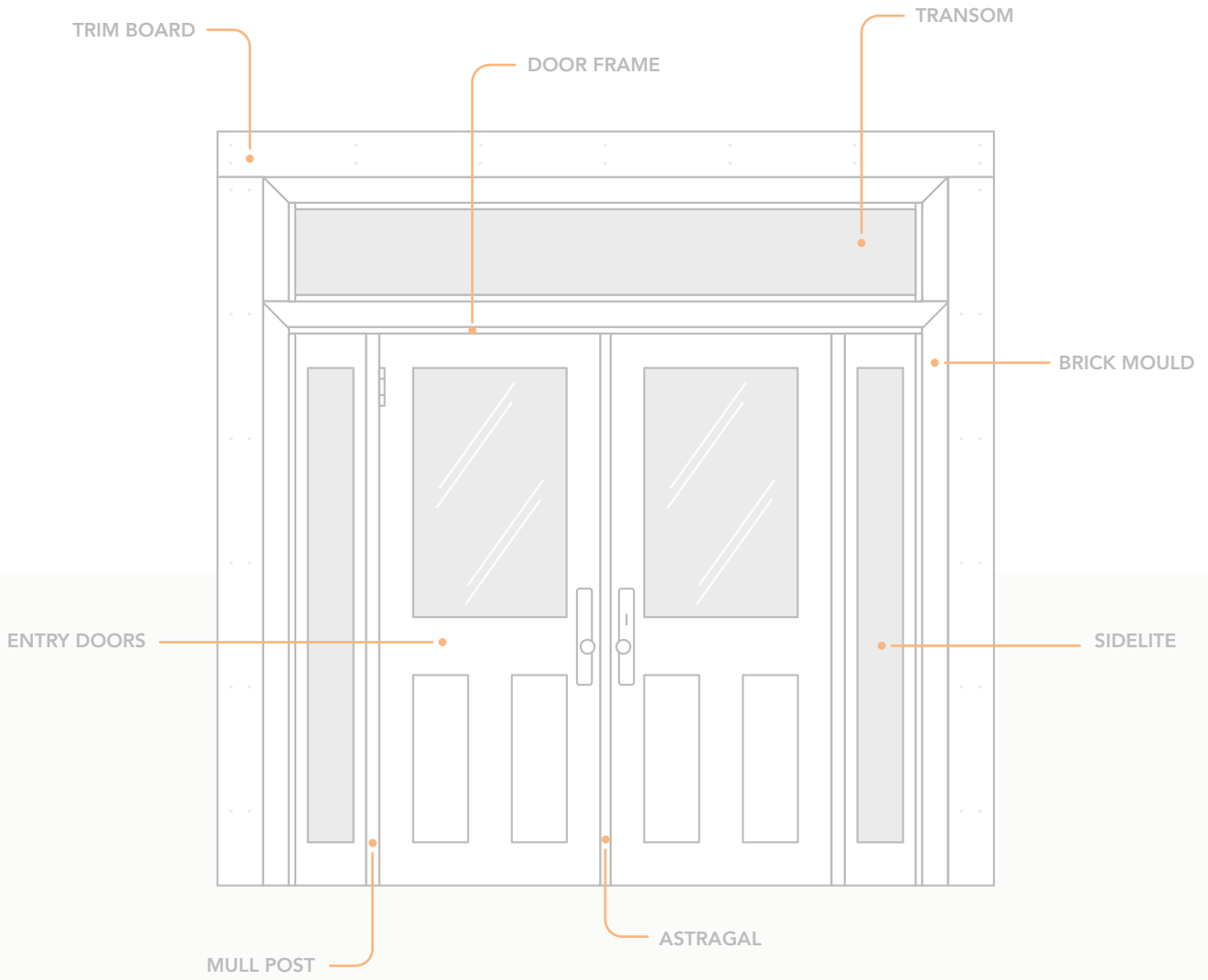
- 1" x 2 1/2"
- 1" x 3"



SIDELITE STOPPER



ASTRAGAL





DOOR FRAMES

PF Door Frames are durable, long-lasting, and enhance the quality and performance of your entryway. When paired with a Plastpro fiberglass door you create an entryway impenetrable to moisture and humidity. Our frames come in a variety of grain styles and finishes to complement any architectural exterior and are available in four sizes: 4-9/16", 6-9/16", 5-1/4", and 7-1/4".

ACCESSORIES



1 1/4" x 3" FRAME EXTENSION

GRAIN STYLES ● ● ● ● ●

GRAIN STYLES



OAK GRAIN



FIR GRAIN



MAHOGANY



PRIMED

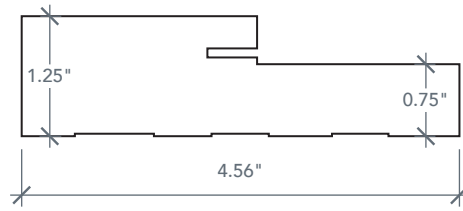


WHITE CAPPED





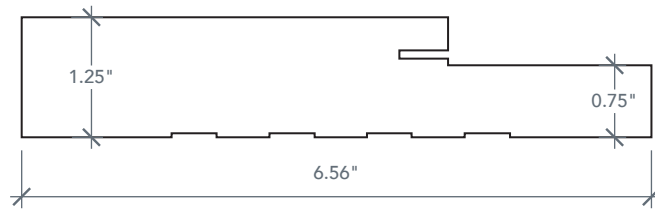
4 9/16" DOOR FRAME



GRAIN STYLES ● ● ● ● ●



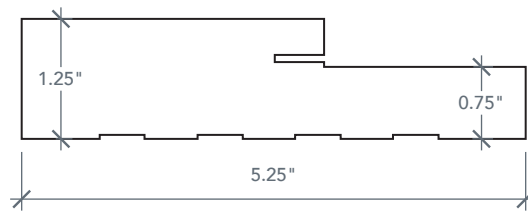
6 9/16" DOOR FRAME



GRAIN STYLES ● ● ● ● ●



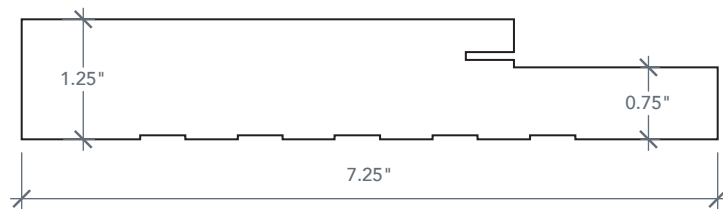
5 1/4" DOOR FRAME



GRAIN STYLES ● ● ●



7 1/4" DOOR FRAME



GRAIN STYLES ● ● ●

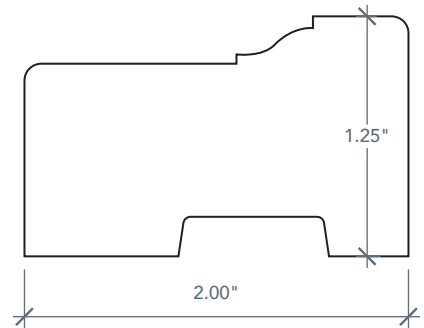


GRAIN STYLES



WM180 BRICK MOULD

The brick mould is perfect at providing traditional styling to highlight your door. The mould is reminiscent of the white wood trim columns used to accent brick Georgian colonial homes on the east coast. Its simplicity is universally flattering against any building material and adds profile and depth to your entryways aesthetic. Our brick mould adds charm and character, which is the perfect finishing touch to your home's exterior door.

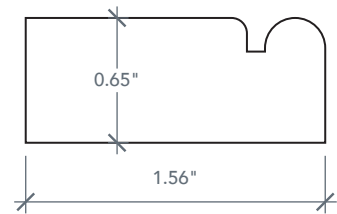


GRAIN STYLES



FLORIDA BRICK MOULD

The bold and noble Florida Style home needs a frame to highlight its exotic and elegant Mediterranean exterior. Our Florida Brick Mould's profile was specially designed for the coastal Florida home. It matches well against cool stucco walls or bricks, but the simplicity of its profile matches well with any surface. The mould will exemplify all the best features of the casual, yet elegant Florida architectural style.

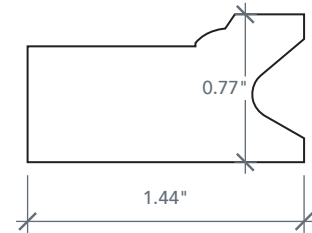




GRAIN STYLES

STUCCO MOULD

Arizona's Southwestern home has a rich history of Colonial Spanish and Native American style. Our elegant Stucco Mould adds subtle detail and definition to create the perfect frame against this beautiful style of architecture. As Southwestern homes blend into the landscape, our moulds artistic material exudes character and blends effortlessly with the home's appearance. The mould goes well against stucco or stone, but it can be matched against any surface.

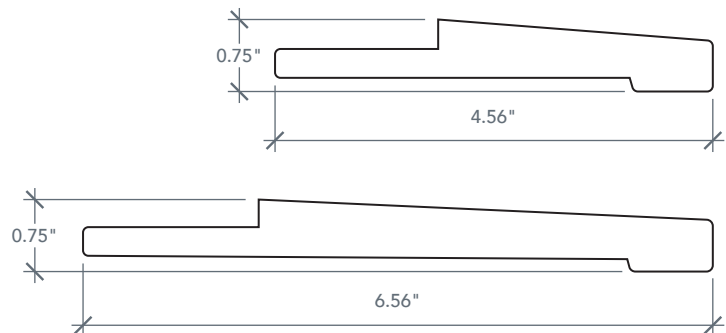


GRAIN STYLES

TRANSOM SILL 4 ⁹/₁₆"
TRANSOM SILL 6 ⁹/₁₆"

TRANSOM SILLS

A transom over your entryway adds elegance and brightness while also maintaining privacy in your home. Our Transom Sills help create the option of having a transom over your entryway. Transoms enhance the look of your home's exterior and help complement a doors appearance.



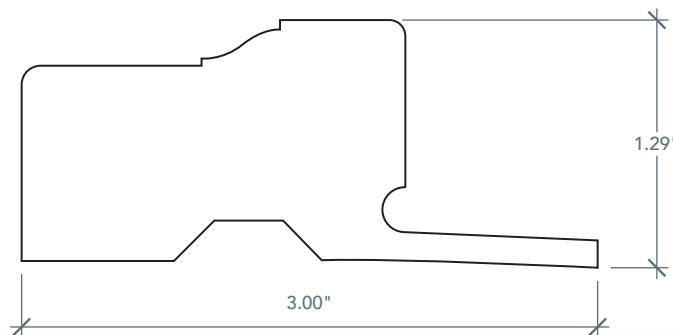


GRAIN STYLES



NAILING FIN

Our Nailing Fin is the perfect mould to create a classic finish to your door. The mould's architectural shape goes behind the wall and creates a barrier that prevents water from seeping into the door unit. It smoothly blends the door unit with both vinyl and stucco walls and emulates the simple, traditional American style frame found on the east coast.

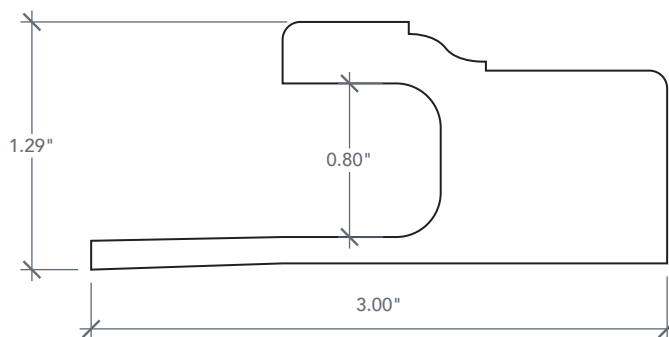


GRAIN STYLES



J-CHANNEL

Similar to our Nailing Fin, the J-Channel creates a fully finished look that adds to a home's style. Our mould's J shape goes behind the wall and protects the door from moisture infiltration. It creates that timeless old world charm found on the east coast. The J-Channel has very versatile aesthetic working with traditional and classic, or casual and authentic styles.



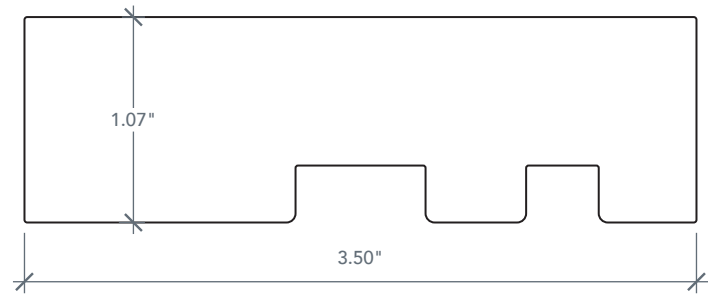


GRAIN STYLES



FLAT CASING

With 400 years of history, New England colonial homes restrained on decoration and focused on the doorway. The sleek, flat look used to frame the door creates a simple, clean profile to exemplify a home's unique personality. Our Flat Casing is perfect at emulating this true, solid, upright design.

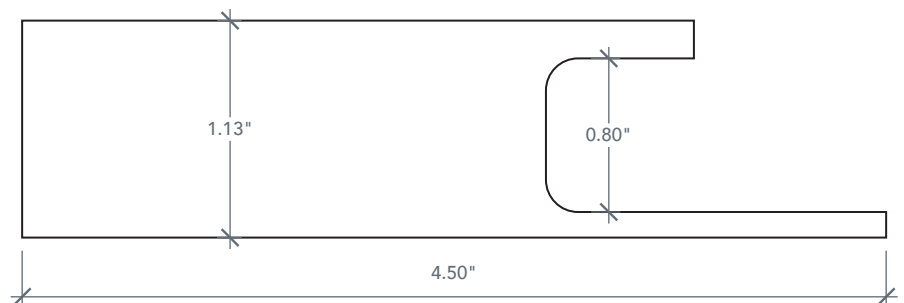


GRAIN STYLES



FLAT CASING J-CANNEL

Wood paneled walls and a rustic embrace are just some of the features that help create the natural affinity of Pacific Northwest architecture. Our Flat Casing J-Channel perfectly complements this style by creating a frame that works well with the natural environment. Its shape is able to effortlessly go behind the wall and prevents water from seeping into the door unit. Simple in design, the mould's flat shape creates a clean look for any entryway.



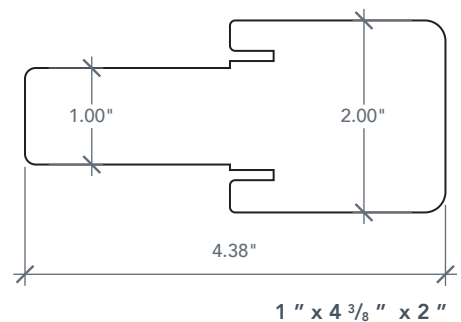
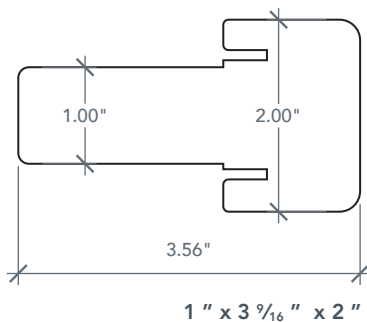
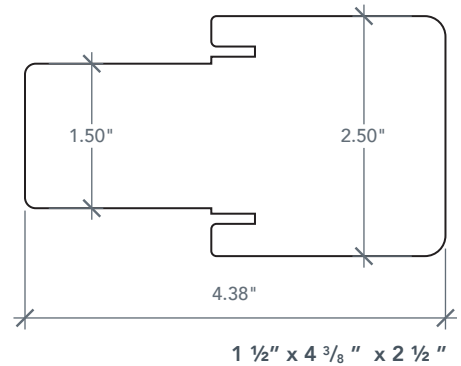
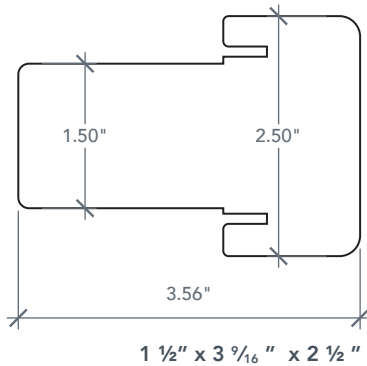


GRAIN STYLES



3 PIECE MULL POST WITH LVL

The Mull Post with LVL creates an attractive accent piece between the sidelites and the door. Our mull post's specifically designed shape creates a double sided jamb to prevent the vertical seam between the door and sidelite to be seen. This allows for the creation of a continuous unit and a clean finish. What makes our mull post different is the added LVL, which provides stronger rigidity and enhances the screw holding power.





GRAIN STYLES

GRAIN STYLES

GRAIN STYLES



EXTERIOR MULL COVER 1 1/2" x 1"



EXTERIOR MULL COVER 2" x 1"



INTERIOR MULL COVER

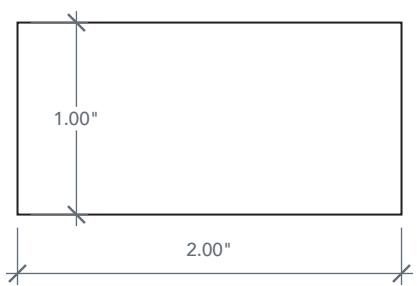
INTERIOR & EXTERIOR MULL POST COVERS

Our Mull Post Covers add exquisite detail to an entryways existing features. When two jambs are used back to back to create a door and sidelite unit, a seam is created in the middle where the jambs meet. Our Mull Post Covers hide the seam and help create a cleaner look to your entryway.

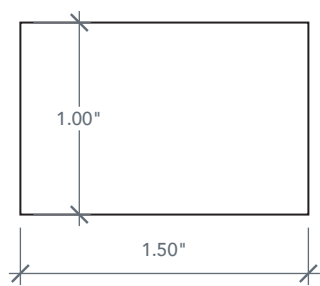
INTERIOR MULL COVER



EXTERIOR MULL COVER 2" x 1"



EXTERIOR MULL COVER 1 1/2" x 1"



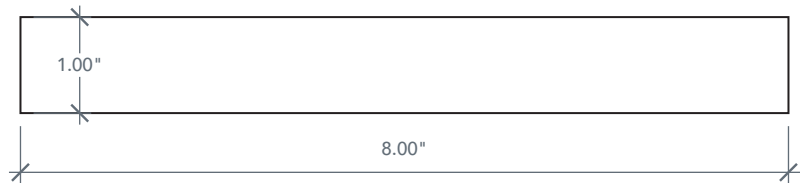
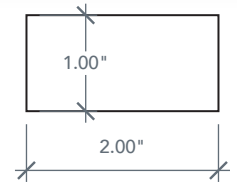


- 1" x 2"
- 1" x 4"
- 1" x 6"
- 1" x 8"

GRAIN STYLES ●

TRIM BOARD

Our Trim Board's simple, clean design is reflective of the clean, simple lines and modest amount of decoration used in modern contemporary architecture. Our mould's square design helps accentuate the natural aesthetics of a home to create an elegant, timeless entryway. It can not only be used to frame the entryway, but also to frame windows.

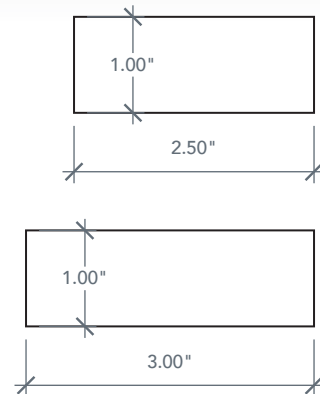




1" x 2 1/2"
1" x 3"

STORM DOOR ADAPTERS

Rain hits the ground like stones, gushing winds whip through everything in sight. During a storm, it's essential to have a secure and comfortable home to retreat to. Add strength to your home by installing a storm door onto the mull post with our Storm Door Adapter. If keeping weather out isn't your priority our Storm Door Adapters can be used to install a screen door onto the mull post instead. The screen door maintains your privacy while allowing fresh air into your home.



GRAIN STYLES



ASTRAGAL

GRAIN STYLES

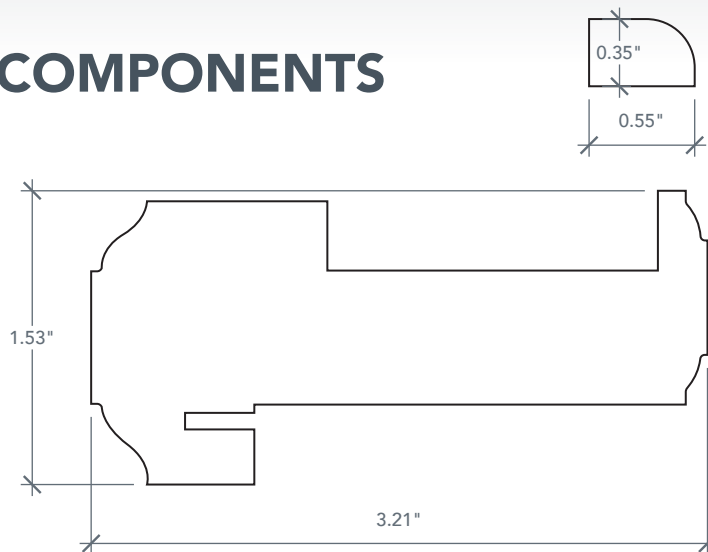


SIDELITE STOPPER

DOOR & SIDELITE UNIT COMPONENTS

Door and sidelite components add dimension and create accent pieces to entry doors. The astragal not only creates definition between the doors, but closes the gap for added privacy and prevents light from seeping through.

The sidelite stopper is a rounded mould piece that goes on the interior side of the sidelite to subtly cover the gap between the frame and the sidelite.





www.plastproinc.com

5200 W. Century Blvd, 9th Floor ■ Los Angeles, CA 90045

Phone: (800) 779-0561 ■ Fax: (310) 693-8620



© 2023 Plastpro Inc. All Rights Reserved

Product # MKLTPF2023 Updated April 2023