

# NOVA 90

Our Nova Series features direct glazed glass that creates a seamless and elegant design. The large pane glass allows the most amount of light into your home. The Nova 90 comes in a shaker profile and is available in Brushed Smooth Finish.

**DRS1SL**

**DRS1S80L**

**SLS1SL**

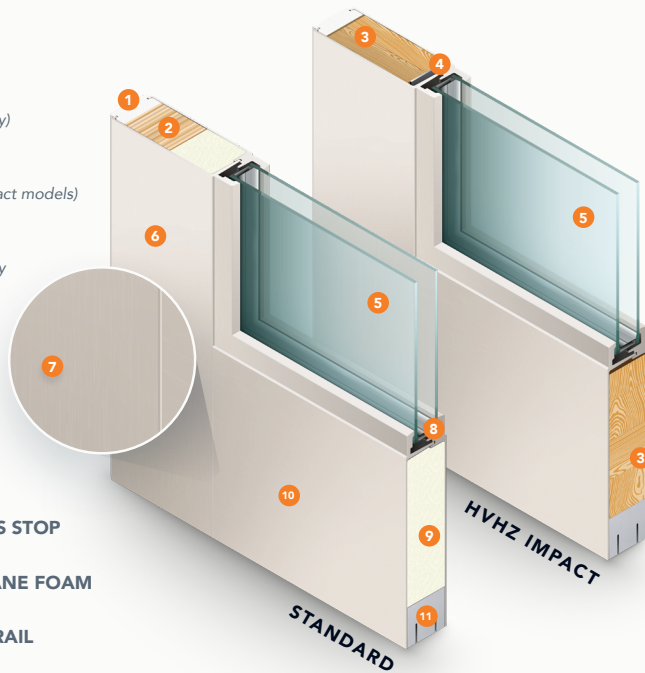
**SLS1S80L**

**DIRECT GLAZED**  
6'8" or 8'0" FULL LITE DOOR

**AVAILABLE WIDTHS**  
2'0" • 2'6" • 2'8" • 2'10" • 3'0"

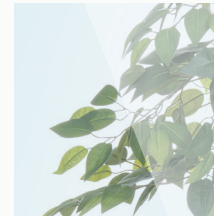
## FEATURES & BENEFITS

- 1 COMPOSITE STILE CAP
- 2 FULL LENGTH LVL  
(Hinge & Strike side, for extra rigidity)
- 3 WOOD BLOCKING  
(For structural support in HVHZ Impact models)
- 4 STEEL BEAM  
(Hinge & Strike side, for extra rigidity in all 8'0" and HVHZ Impact models)
- 5 INSULATED 1" GLASS
- 6 COMPRESSION MOLDED FIBERGLASS SKIN
- 7 BRUSH FINISHED TEXTURE
- 8 INTEGRALLY MOLDED GLASS STOP
- 9 HIGH DENSITY POLYURETHANE FOAM
- 10 ADA COMPLIANT BOTTOM RAIL
- 11 COMPOSITE BOTTOM RAIL



## GLASS OPTIONS\*

Also available in HVHZ Impact Glass



LowE 272 (Impact LowE 366)



MINI BLIND



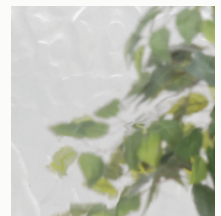
TRANSLUCENT



RAIN



CHORD



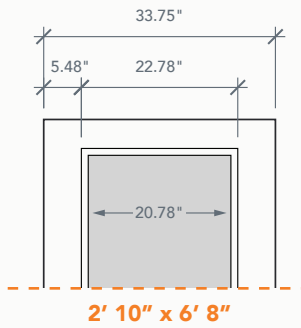
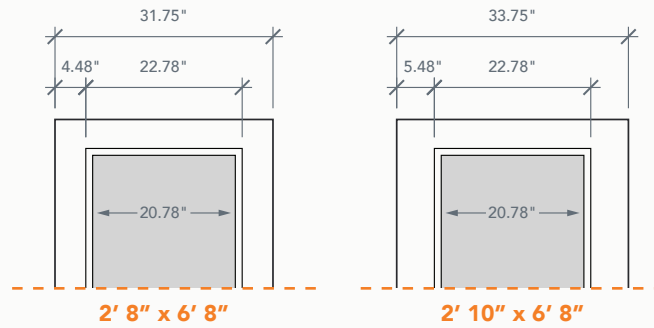
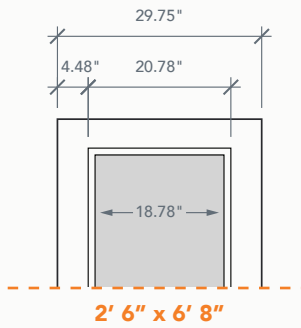
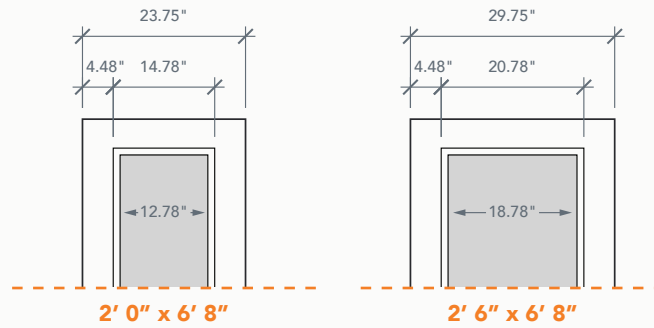
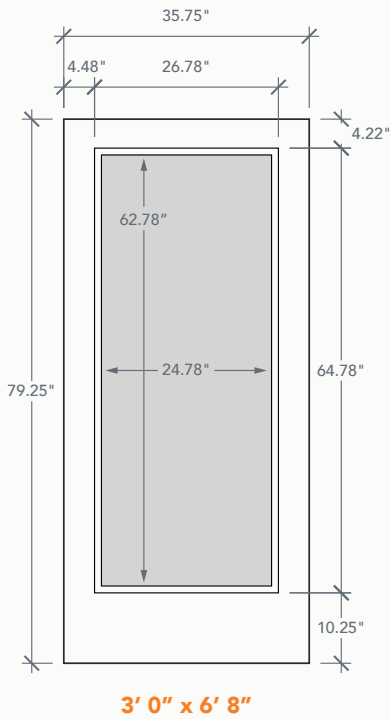
FLEMISH

\*Approximate representations, actual product may vary.

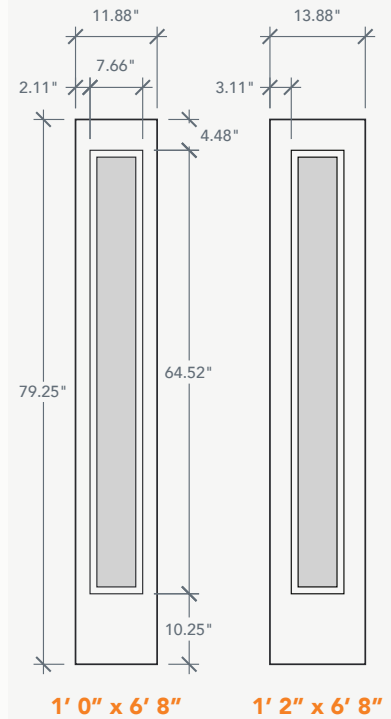
TO SEE THE FULL FLORIDA BUILDING CODE APPROVAL DOCUMENT,  
VISIT [WWW.FLORIDABUILDING.ORG](http://WWW.FLORIDABUILDING.ORG). THE NOVA 90 FL# IS 28093, 28095 & 29714.



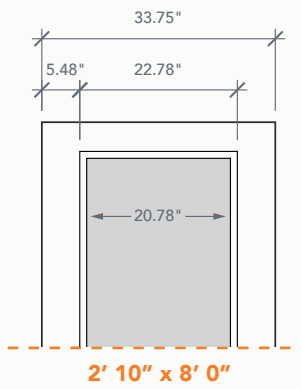
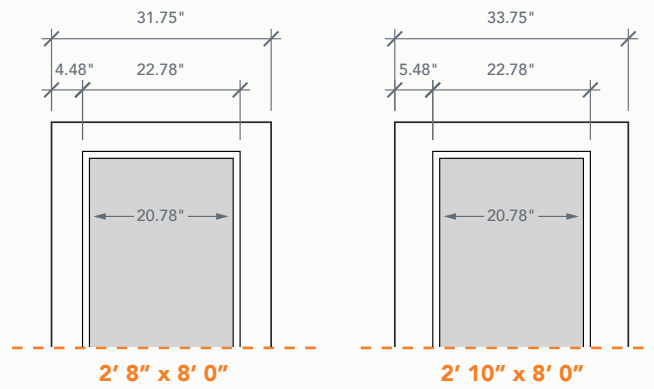
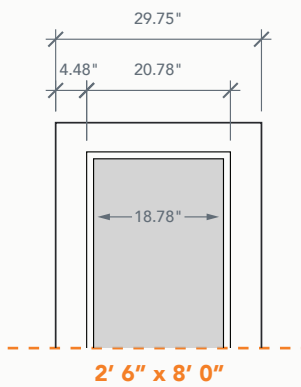
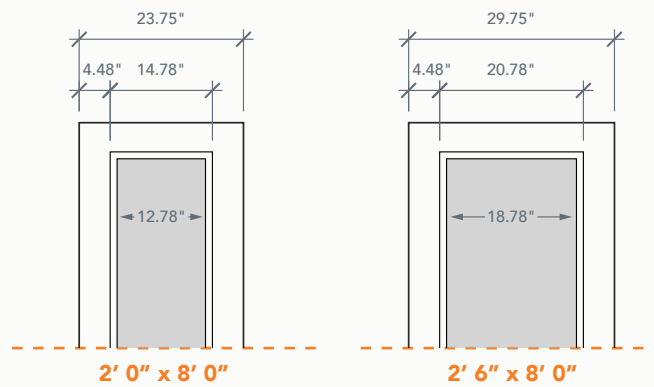
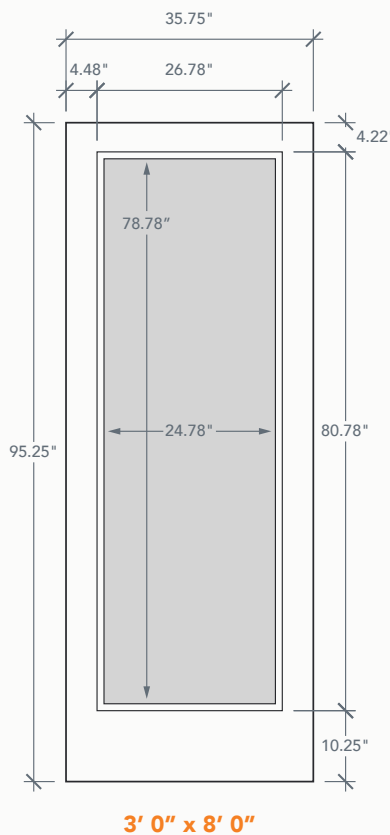
**6'8" NOVA SERIES - DRS1S**



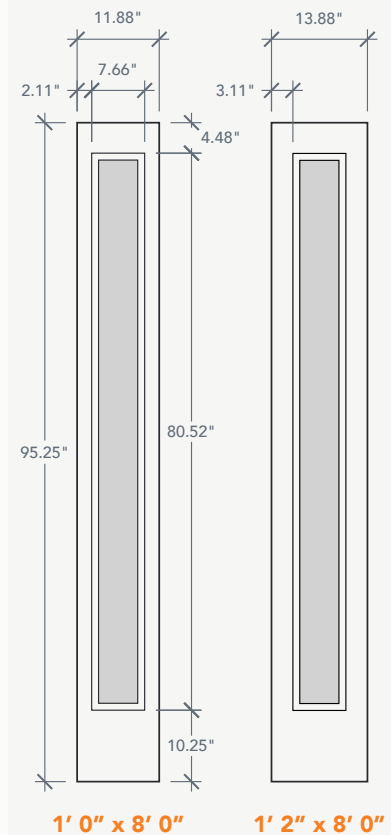
**6'8" NOVA 90 SIDELITE**



**8'0" NOVA SERIES - DRS1S80**



**8'0" NOVA 90 SIDELITE**



**NOVA 90**

**DIRECT GLAZED**  
6'8" or 8'0" FULL LITE DOOR

**AVAILABLE WIDTHS**  
2'0" • 2'6" • 2'8" • 2'10" • 3'0"