

SDL BARS SIMULATED DIVIDED LITES

SMOOTH & FIR

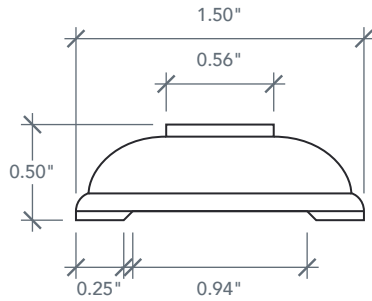
OVOLO PROFILE SIDELITE OPTIONS

CRAFTSMAN SERIES

2024 PLASTPRO SPECBOOK PAGE: 42

ACCESSORY DIMENSIONS

ARTWORK SCALE: AS NOTED



SDL BAR SIDE PROFILE

ARTWORK SCALE: 1"=1"

ACSDF23004 2-LITE FOR 6'8" & 8'0" FIR SIDELITE
ACSDW23004 2-LITE FOR 6'8" & 8'0" SMOOTH SIDELITE



ACCESSORY INFO

ARTWORK SCALE: 1 1/2"=1"

Pieces Per Set: 2

8 3/4" SDL Bars (2 pcs.)

Matching Sidelites:

SLF3C G000 | Spec Page 31

SLF3C80 G000 | Spec Page 32

SLS3C G000 | Spec Page 31

SLS3C80 G000 | Spec Page 32

